



Main

| | |
|--|--|
| Range of product | EasyPact |
| Product or component type | Circuit breaker |
| Device short name | Easypact EZCV250N |
| Circuit breaker name | Easypact EZCV250N |
| Device application | Distribution |
| Poles description | 4P |
| Protected poles description | 3t |
| Network type | AC |
| Network frequency | 50/60 Hz |
| [In] rated current | 250 A at 40 °C |
| [Ui] rated insulation voltage | 440 V AC 50/60 Hz conforming to IEC 60947-2 |
| [Uimp] rated impulse withstand voltage | 6 kV conforming to IEC 60947-2 |
| [Ue] rated operational voltage | 440 V AC 50/60 Hz conforming to IEC 60947-2 |
| Breaking capacity code | N |
| Breaking capacity | 20 kA Icu at 440 V AC 50/60 Hz conforming to IEC 60947-2 85 kA Icu at 220...240 V AC 50/60 Hz conforming to IEC 60947-2 25 kA Icu at 380...415 V AC 50/60 Hz conforming to IEC 60947-2 |
| [Ics] rated service breaking capacity | 10 kA at 440 V AC 50/60 Hz conforming to IEC 60947-2 42.5 kA at 220...240 V AC 50/60 Hz conforming to IEC 60947-2 12.5 kA at 380...415 V AC 50/60 Hz conforming to IEC 60947-2 |
| Suitability for isolation | Yes conforming to IEC 60947-2 |
| Utilisation category | Category A |
| Trip unit name | TM-D |
| Trip unit technology | Thermal-magnetic |
| Trip unit rating | 125 A at 40 °C |
| Protection type | Overload protection Short-circuit protection Earth-leakage protection |

Disclaimer: This documentation is not intended as a substitute for and is not to be used for determining suitability or reliability of these products for specific user applications

| | |
|------------------|---------------------------|
| Pollution degree | 3 conforming to IEC 60947 |
|------------------|---------------------------|

Complementary

| | |
|----------------------------|---|
| Control type | Toggle |
| Mounting mode | Fixed |
| Mounting support | Backplate |
| Upside connection | Front |
| Downside connection | Front |
| Mechanical durability | 10000 cycles |
| Electrical durability | Category A: 5000 cycles 415 V AC 50/60 Hz conforming to IEC 60947-2 |
| Connection pitch | 35 mm |
| Local signalling | Positive contact indication |
| Neutral protection setting | Without protection |
| Earth-leakage protection | With |
| Height | 165 mm |
| Width | 140 mm |
| Depth | 68 mm |

Environment

| | |
|---------------------------------------|---|
| Standards | GB/T 14048.2 JIS C8201-2-2 EN/IEC 60947-1 EN/IEC 60947-2 |
| IP degree of protection | IP20 conforming to IEC 60529 |
| IK degree of protection | IK07 conforming to EN 50102 |
| Ambient air temperature for operation | -25...70 °C |
| Ambient air temperature for storage | -35...85 °C |

Packing Units

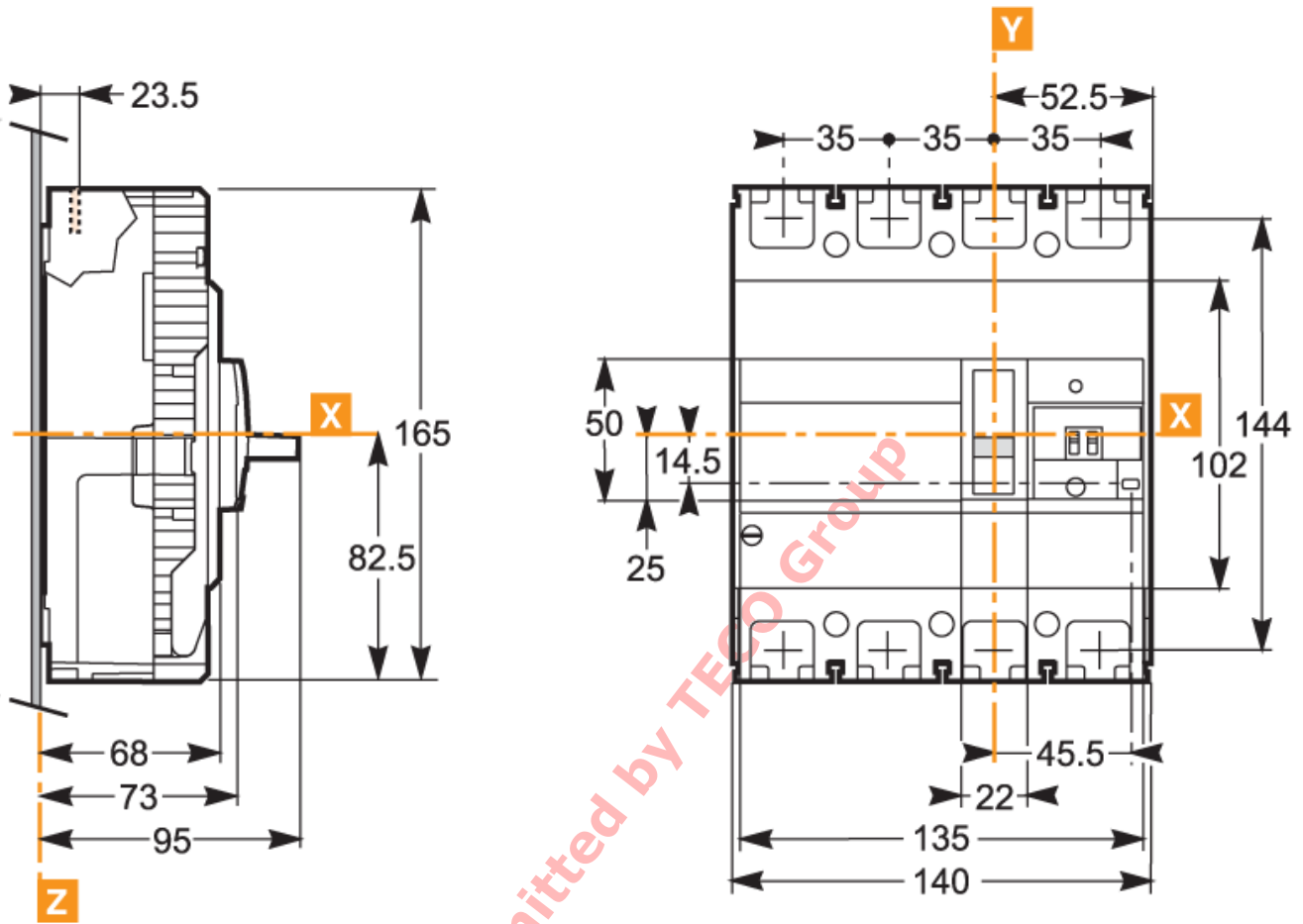
| | |
|------------------|----------|
| Package 1 Weight | 1.540 kg |
|------------------|----------|

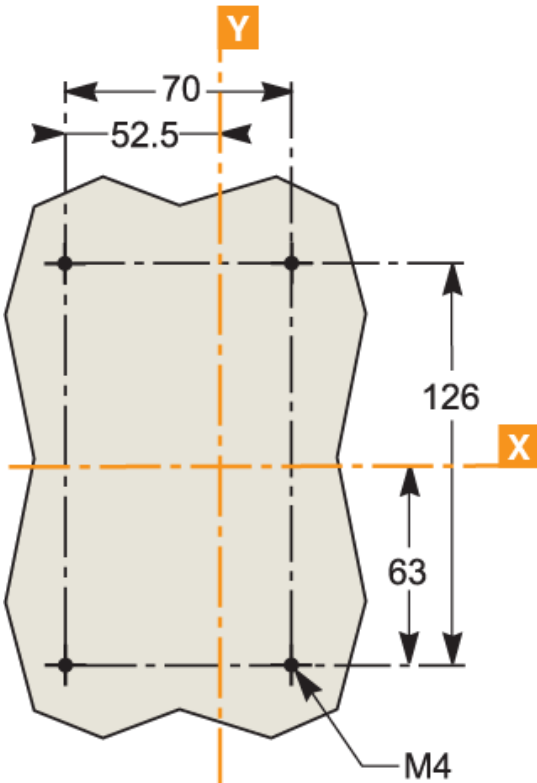
Offer Sustainability

| | |
|----------------------------|---|
| Sustainable offer status | Green Premium product |
| REACH Regulation | REACH Declaration |
| REACH free of SVHC | Yes |
| EU RoHS Directive | Compliant EU RoHS Declaration |
| Mercury free | Yes |
| RoHS exemption information | Yes |
| China RoHS Regulation | China RoHS declaration Product out of China RoHS scope. Substance declaration for your information |
| Environmental Disclosure | Product Environmental Profile |
| Circularity Profile | End of Life Information |
| WEEE | The product must be disposed on European Union markets following specific waste collection and never end up in rubbish bins |

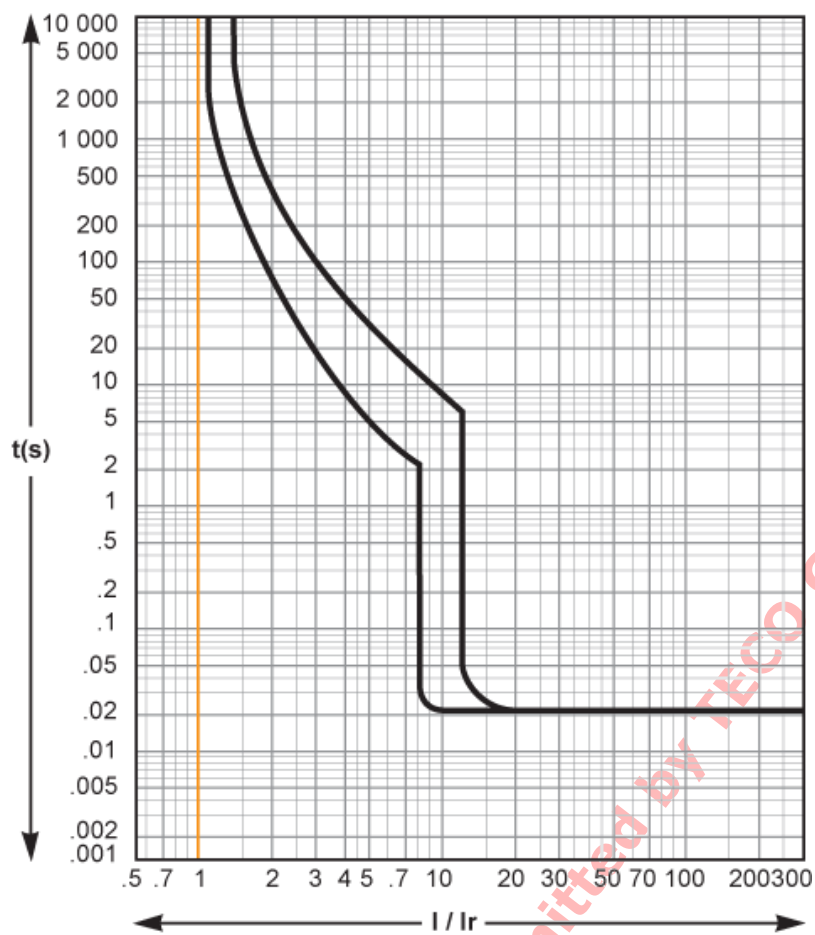
Contractual warranty

| | |
|----------|-----------|
| Warranty | 18 months |
|----------|-----------|





Submitted by TECO Group



Submitted by TECO Group