



Main

|  |   |
|--|---|
| Range of product                       | EasyPact  |
| Product or component type              | Circuit breaker   |
| Device short name                      | Easypact EZC100H  |
| Circuit breaker name                   | Easypact EZC100H  |
| Device application                     | Distribution  |
| Poles description                      | 4P  |
| Protected poles description            | 3t  |
| Network type                           | DC<br>AC  |
| Network frequency                      | 50/60 Hz  |
| [In] rated current                     | 100 A at 40 °C  |
| [Ui] rated insulation voltage          | 690 V AC 50/60 Hz conforming to IEC 60947-2   |
| [Uimp] rated impulse withstand voltage | 6 kV conforming to IEC 60947-2  |
| [Ue] rated operational voltage         | 550 V AC 50/60 Hz conforming to IEC 60947-2<br>250 V DC conforming to IEC 60947-2   |
| Breaking capacity code                 | H   |
| Breaking capacity                      | 10 kA Icu at 125 V DC 1P conforming to IEC 60947-2<br>10 kA Icu at 250 V DC 2P conforming to IEC 60947-2<br>10 kA Icu at 550 V AC 50/60 Hz conforming to IEC 60947-2<br>100 kA Icu at 110...130 V AC 50/60 Hz conforming to IEC 60947-2<br>20 kA Icu at 440 V AC 50/60 Hz conforming to IEC 60947-2<br>50 kA Icu at 220...240 V AC 50/60 Hz conforming to IEC 60947-2<br>30 kA Icu at 380...400 V AC 50/60 Hz conforming to IEC 60947-2<br>30 kA Icu at 415 V AC 50/60 Hz conforming to IEC 60947-2 |
| [Ics] rated service breaking capacity  | 5 kA at 125 V DC conforming to IEC 60947-2<br>5 kA at 250 V DC conforming to IEC 60947-2<br>5 kA at 440 V AC 50/60 Hz conforming to IEC 60947-2<br>2.5 kA at 550 V AC 50/60 Hz conforming to IEC 60947-2<br>15 kA at 380...400 V AC 50/60 Hz conforming to IEC 60947-2<br>25 kA at 220...240 V AC 50/60 Hz conforming to IEC 60947-2<br>50 kA at 110...130 V AC 50/60 Hz conforming to IEC 60947-2  |

Disclaimer: This documentation is not intended as a substitute for and is not to be used for determining suitability or reliability of these products for specific user applications

7.5 kA at 415 V AC 50/60 Hz conforming to IEC 60947-2

|                           |   |
|---------------------------|---|
| Suitability for isolation | Yes conforming to IEC 60947-2                   |
| Utilisation category      | Category A                                      |
| Trip unit name            | TM-D  |
| Trip unit technology      | Thermal-magnetic                                |
| Trip unit rating          | 25 A at 50 °C                                   |
| Protection type           | Short-circuit protection<br>Overload protection |
| Pollution degree          | 3 conforming to IEC 60947                       |

### Complementary

|                            |   |
|----------------------------|---|
| Control type               | Toggle  |
| Mounting mode              | Fixed   |
| Mounting support           | Backplate   |
| Upside connection          | Front   |
| Downside connection        | Front   |
| Mechanical durability      | 8500 cycles   |
| Electrical durability      | Category A: 1500 cycles 415 V AC 50/60 Hz conforming to IEC 60947-2 |
| Connection pitch           | 25 mm   |
| Local signalling           | Positive contact indication   |
| Neutral protection setting | Without protection  |
| Earth-leakage protection   | Without   |
| Height                     | 130 mm  |
| Width                      | 100 mm  |
| Depth                      | 60 mm   |

### Environment

|                                       |   |
|---------------------------------------|---|
| Standards                             | JIS C8201-2-2<br>EN/IEC 60947-1<br>EN/IEC 60947-2<br>GB/T 14048.2 |
| IP degree of protection               | IP20 conforming to IEC 60529                                      |
| IK degree of protection               | IK07 conforming to EN 50102                                       |
| Ambient air temperature for operation | -25...70 °C   |
| Ambient air temperature for storage   | -35...85 °C   |

### Packing Units

|                  |          |
|------------------|----------|
| Package 1 Weight | 1.071 kg |
|------------------|----------|

### Offer Sustainability

|                            |   |
|----------------------------|---|
| Sustainable offer status   | Green Premium product   |
| REACH Regulation           | <a href="#">REACH Declaration</a>   |
| REACH free of SVHC         | Yes   |
| EU RoHS Directive          | Compliant<br><a href="#">EU RoHS Declaration</a>  |
| Toxic heavy metal free     | Yes   |
| Mercury free               | Yes   |
| RoHS exemption information | <a href="#">Yes</a>   |
| China RoHS Regulation      | <a href="#">China RoHS declaration</a>  |
| Environmental Disclosure   | <a href="#">Product Environmental Profile</a>   |
| WEEE                       | The product must be disposed on European Union markets following specific waste collection and never end up in rubbish bins |

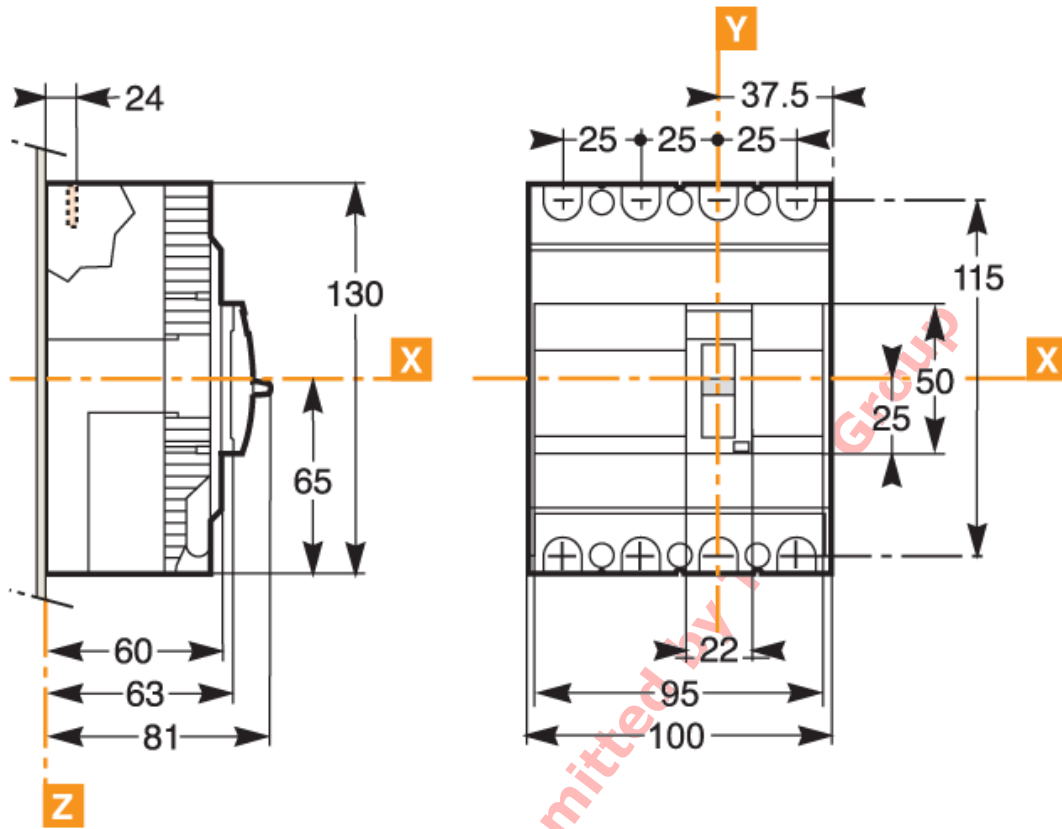
Contractual warranty

---

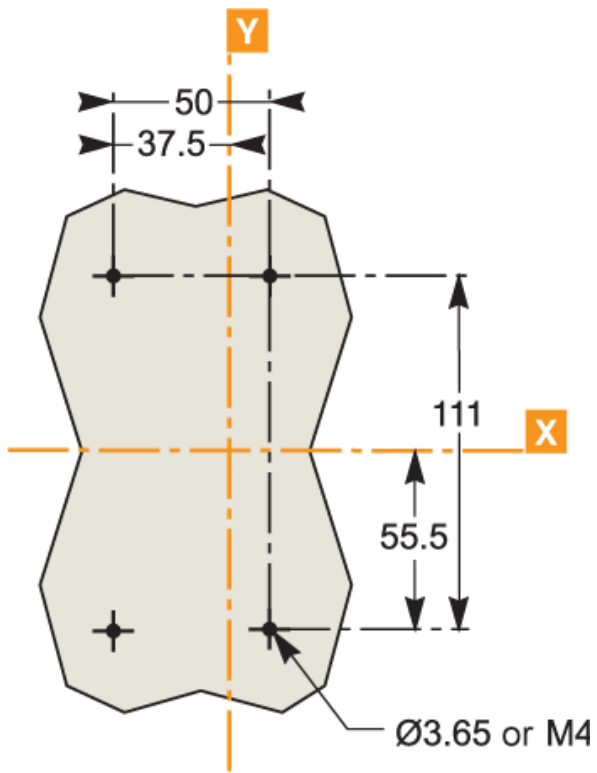
|          |           |
|----------|-----------|
| Warranty | 18 months |
|----------|-----------|

---

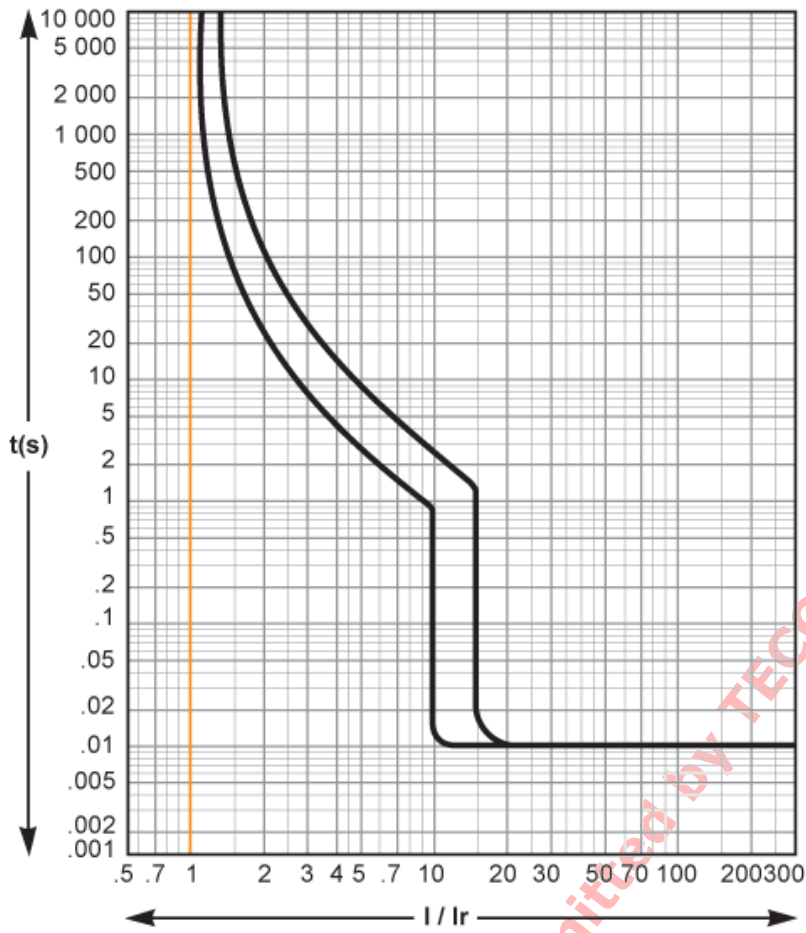
Submitted by TECO Group



Submitted by Group



Submitted by TECO Group



Submitted by TECO Group