



Main

| | |
|--|--|
| Range of product | EasyPact |
| Product or component type | Circuit breaker |
| Device short name | Easypact EZC100H |
| Circuit breaker name | Easypact EZC100H |
| Device application | Distribution |
| Poles description | 3P |
| Protected poles description | 3t |
| Network type | AC DC |
| Network frequency | 50/60 Hz |
| [In] rated current | 100 A at 40 °C |
| [Ui] rated insulation voltage | 690 V AC 50/60 Hz conforming to IEC 60947-2 |
| [Uimp] rated impulse withstand voltage | 6 kV conforming to IEC 60947-2 |
| [Ue] rated operational voltage | 550 V AC 50/60 Hz conforming to IEC 60947-2 250 V DC conforming to IEC 60947-2 |
| Breaking capacity code | H |
| Breaking capacity | 10 kA Icu at 125 V DC 1P conforming to IEC 60947-2 10 kA Icu at 250 V DC 2P conforming to IEC 60947-2 10 kA Icu at 550 V AC 50/60 Hz conforming to IEC 60947-2 100 kA Icu at 110...130 V AC 50/60 Hz conforming to IEC 60947-2 100 kA Icu at 220...240 V AC 50/60 Hz conforming to IEC 60947-2 20 kA Icu at 440 V AC 50/60 Hz conforming to IEC 60947-2 30 kA Icu at 380 V AC 50/60 Hz conforming to IEC 60947-2 30 kA Icu at 400...415 V AC 50/60 Hz conforming to IEC 60947-2 |
| [Ics] rated service breaking capacity | 15 kA at 380 V AC 50/60 Hz conforming to IEC 60947-2 5 kA at 125 V DC conforming to IEC 60947-2 5 kA at 250 V DC conforming to IEC 60947-2 50 kA at 110/130 V AC 50/60 Hz conforming to IEC 60947-2 50 kA at 220/230/240 V AC 50/60 Hz conforming to IEC 60947-2 5 kA at 440 V AC 50/60 Hz conforming to IEC 60947-2 2.5 kA at 550 V AC 50/60 Hz conforming to IEC 60947-2 |

Disclaimer: This documentation is not intended as a substitute for and is not to be used for determining suitability or reliability of these products for specific user applications

7.5 kA at 400/415 V AC 50/60 Hz conforming to IEC 60947-2

| | |
|---------------------------|--|
| Suitability for isolation | Yes conforming to IEC 60947-2 |
| Utilisation category | Category A |
| Trip unit name | TM-D |
| Trip unit technology | Thermal-magnetic |
| Trip unit rating | 50 A at 50 °C |
| Protection type | Overload protection Short-circuit protection |
| Pollution degree | 3 conforming to IEC 60664-1 3 conforming to IEC 947-1 |

Complementary

| | |
|----------------------------|---|
| Control type | Toggle |
| Mounting mode | Fixed |
| Mounting support | Backplate |
| Upside connection | Front |
| Downside connection | Front |
| Mechanical durability | 8500 cycles |
| Electrical durability | Category A: 1500 cycles 415 V AC 50/60 Hz conforming to IEC 60947-2 |
| Connection pitch | 25 mm |
| Local signalling | Positive contact indication |
| Neutral protection setting | Without protection |
| Earth-leakage protection | Without |
| Height | 130 mm |
| Width | 75 mm |
| Depth | 60 mm |

Environment

| | |
|---------------------------------------|---|
| Standards | JIS C8201-2-2 EN/IEC 60947-1 GB/T 14048.2 EN/IEC 60947-2 |
| IP degree of protection | IP20 conforming to IEC 60529 |
| IK degree of protection | IK07 conforming to IEC 62262 |
| Ambient air temperature for operation | -25...70 °C |
| Ambient air temperature for storage | -35...85 °C |

Packing Units

| | |
|------------------|----------|
| Package 1 Weight | 0.785 kg |
|------------------|----------|

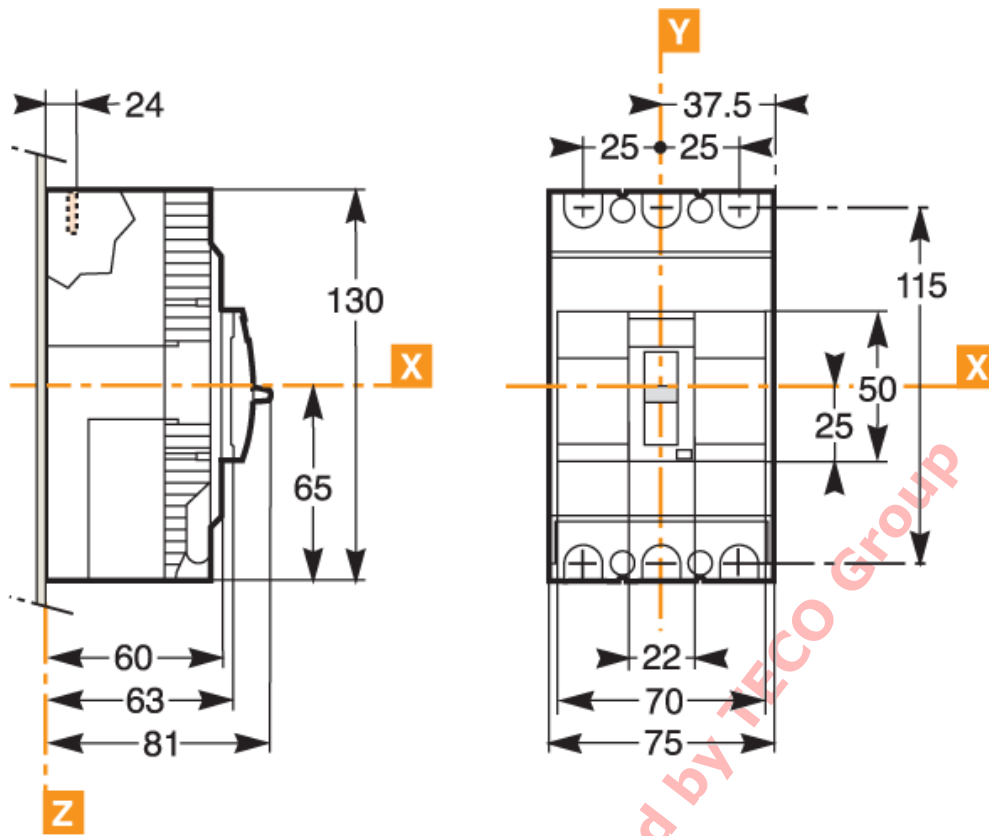
Offer Sustainability

| | |
|----------------------------|---|
| Sustainable offer status | Green Premium product |
| REACH Regulation | REACH Declaration |
| REACH free of SVHC | Yes |
| EU RoHS Directive | Compliant EU RoHS Declaration |
| Toxic heavy metal free | Yes |
| Mercury free | Yes |
| RoHS exemption information | Yes |
| China RoHS Regulation | China RoHS declaration |
| Environmental Disclosure | Product Environmental Profile |
| WEEE | The product must be disposed on European Union markets following specific waste collection and never end up in rubbish bins |

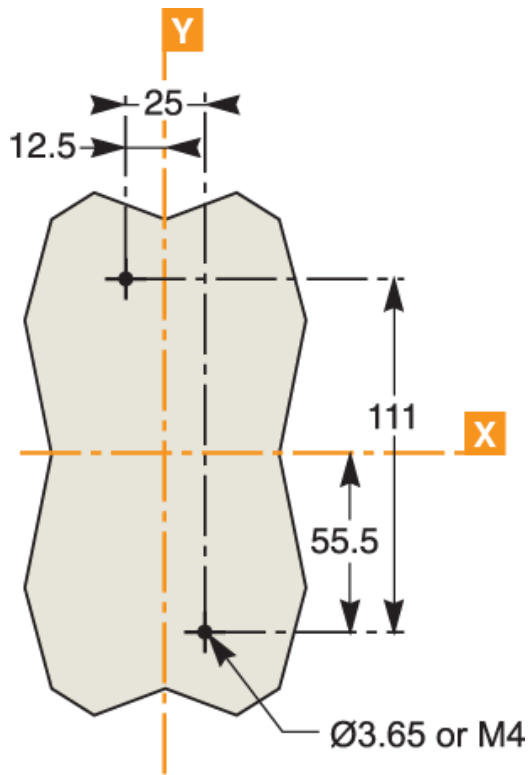
Contractual warranty

| | |
|----------|-----------|
| Warranty | 18 months |
|----------|-----------|

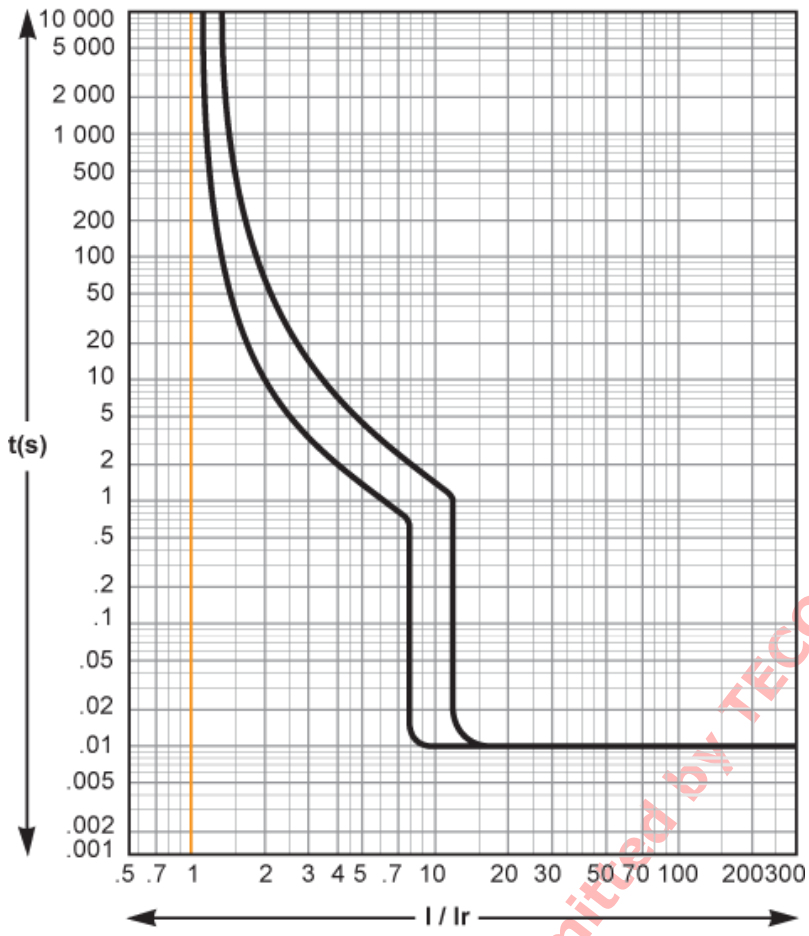
Submitted by TECO Group



Submitted by IECO Group



Submitted by TECO Group



Submitted by TECO Group